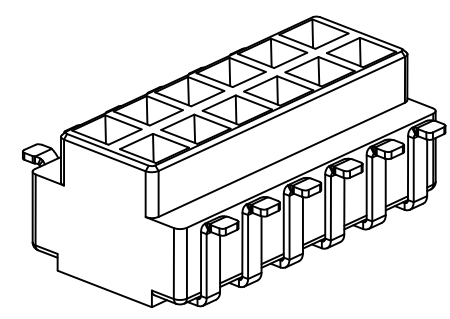
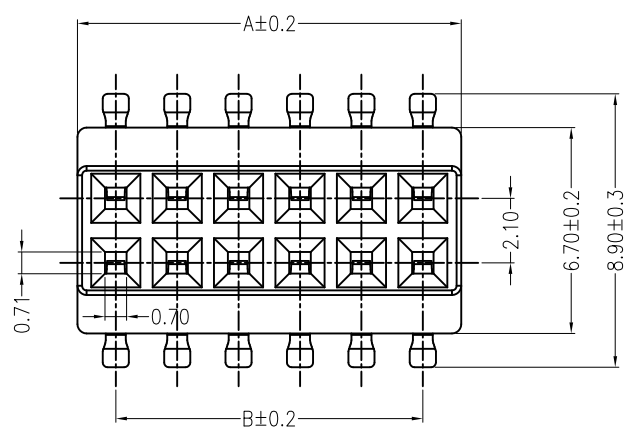


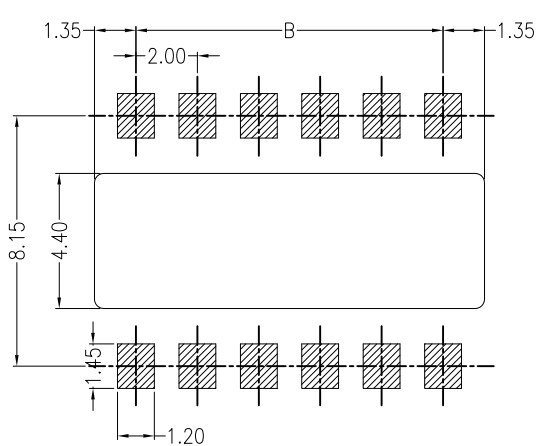
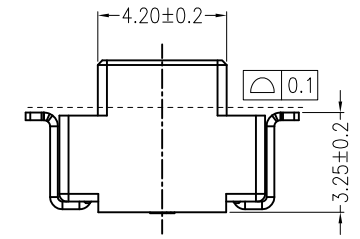
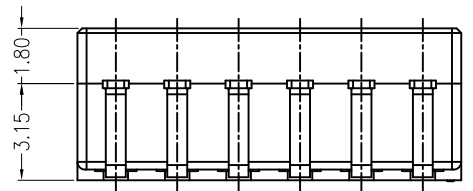
1 2 3 4 5 6

A

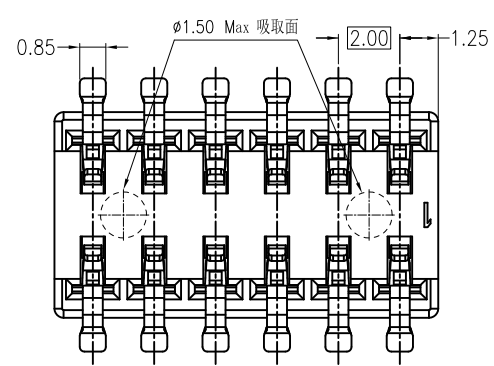


**Specifications:**  
 Contact resistance:  $\leq 60m\Omega$   
 Insulation resistance:  $\geq 100M\Omega$   
 Rated voltage: 275V AC DC  
 Rated current: 1.0A AC DC  
 Withstand Voltage: 500V AC/minute  
 Temperature Range:  $-40^{\circ}C \sim +105^{\circ}C$   
 Housing: LCP UL94V-0, Natural (Beige)  
 Contacts: Phosphor Bronze / Matte Sn-plated

B



C



RECOMMENDED PCB LAYOUT (TOP VIEW)  
 TOLERANCE:  $\pm 0.05mm$

D

PIN.	DIM A	DIM B
2*2	4.5	2.0
2*3	6.5	4.0
2*4	8.5	6.0
2*5	10.5	8.0
2*6	12.5	10.0
2*7	14.5	12.0
2*8	16.5	14.0

电话 (tel)	0755-23317175		 <b>深圳市熙宸电子科技有限公司</b> Shenzhen xichen Electronics Technology Co., Ltd		
传真 (fax)	0755-23010246				
单位 (units)	MM	设计 (draw)	王刚	图名 (name)	PF2.0 双排 沉板式SMT
比例 (scale)	1 : 1	审核 (ch'k)	陈晓俊		
版次 (rev.)	A / 1	核准 (app'd)	邓志飞	料号 (Part number)	
视图 (view)		日期 (date)		图档 (File Name)	

1 2 3 4 5 6